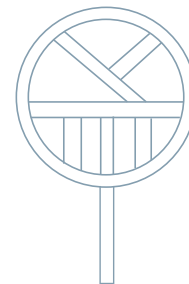


ITEMS INCLUDED IN THIS BOX:

- 1 Halo Safety Ring - Item No. 77104
- 2 Carroll Mount Brackets – Item No. 77107
- 2 Halo Safety Ring Hardware Kits – Item No. 77108



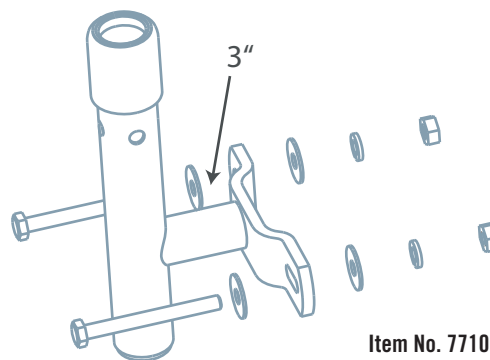
Item No. 77104

ITEMS INCLUDED IN THE HARDWARE KIT(S) - Item No. 77108

- 2 - 3 inch Zinc Bolts
- 2 Zinc Nuts
- 4 Zinc Washers
- 2 Zinc Lock Washers

TOOLS NEEDED FOR ASSEMBLY:

- 1/2" Closed End Wrench
- 1/2" Extension Socket with Ratchet Wrench (extension)



Item No. 77107

INSTALLATION STEPS:

1. To begin, remove the Carroll Side Rail and all original mounting hardware from the bed frame.
2. Using the original bed frame holes from the Carroll Side Rail, install the Carroll Mount (77107) using the enclosed hardware (77108). Tighten securely to bed frame.
3. Duplicate on the opposite side of the bed.
4. Slide the Halo Safety Ring (77104) into the Carroll mounting bracket on the preferred by pinching the double locking pins on the bottom bar of the Halo Safety Ring. Once inserted, the locking pins will pop out securing the Halo Safety Ring in position.

Your Halo Safety Ring is now installed and ready for resident use.



IN ORDER TO AVOID ENTRAPMENT, THE MATTRESS MUST REMAIN IN FIRM CONTACT WITH THE HALO SAFETY RING ON BOTH SIDES OF THE BED. IF A HALO SAFETY RING IS ONLY INSTALLED ON ONE SIDE OF THE BED, THE MATTRESS MUST ALSO REMAIN IN FIRM CONTACT WITH THE MATTRESS STAY / BRACKET ON THE OTHER SIDE OF THE BED.

*In order to eliminate entrapment in Zones 1 through 4 and create a protective sleep environment, two complete Carroll Circle Mounting Brackets are included and should be installed on the same bed.