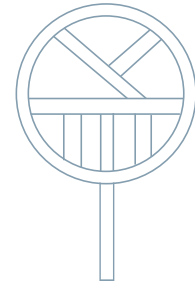


## ITEMS INCLUDED IN THIS BOX:

- 1 Halo Safety Ring - Item No. 77104
- 2 Halo Adjustable Length Mounting Brackets - Item No. 77112
- 2 Halo Adjustable Length Hardware Kits - Item No. 77114



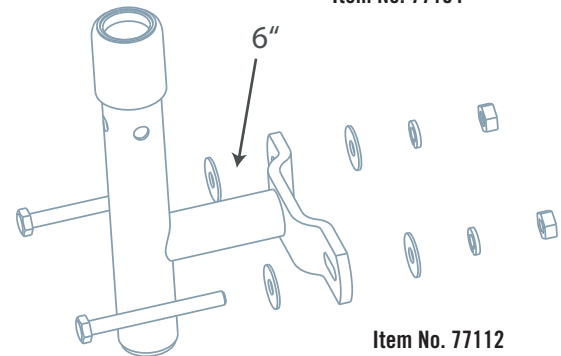
Item No. 77104

## ITEMS INCLUDED IN THE HARDWARE KIT(S) - Item No. 77114

- 2 - 1 inch Zinc Bolts

## TOOLS NEEDED FOR ASSEMBLY:

- 1/2" Socket and Ratchet Wrench



Item No. 77112

## INSTALLATION STEPS:

1. To begin, remove the original two bolts that adjust the length of the bed under the deck frame. Repeat the process on the other side of the bed.
2. Using the original bed frame holes install an Adjustable Length Bed Mounting Bracket (77112) on each side of the bed using the enclosed hardware kit (77114). Tighten securely to bed frame.
3. Slide the Halo Safety Ring (77104) into the Circle Mounting Bracket by pinching the double locking pins on the bottom bar of the Halo Safety Ring. Once inserted, the locking pins will pop out securing the Halo Safety Ring in position.

Your Halo Safety Ring is now installed and ready for resident use.



\* In order to eliminate entrapment in Zones 1 through 4 and create a productive sleep environment, two Adjustable Length Circle Mounting Brackets need to be installed on the same bed.