

ITEMS INCLUDED IN THIS BOX:

- 1 Halo Safety Rings - Item No. 77104
- 2 Invacare CS Series Mounting Brackets – Item No. 77207
- 2 Invacare CS Series Hardware Kits – Item No. 77208

ITEMS INCLUDED IN THE HARDWARE KIT

Item No. 77208

- 1 - Hex Head Bolt, Zinc
- 1 - Steel Nut
- 2 - Steel Washers, Zinc
- 1 - Steel Lock Washers, Zinc

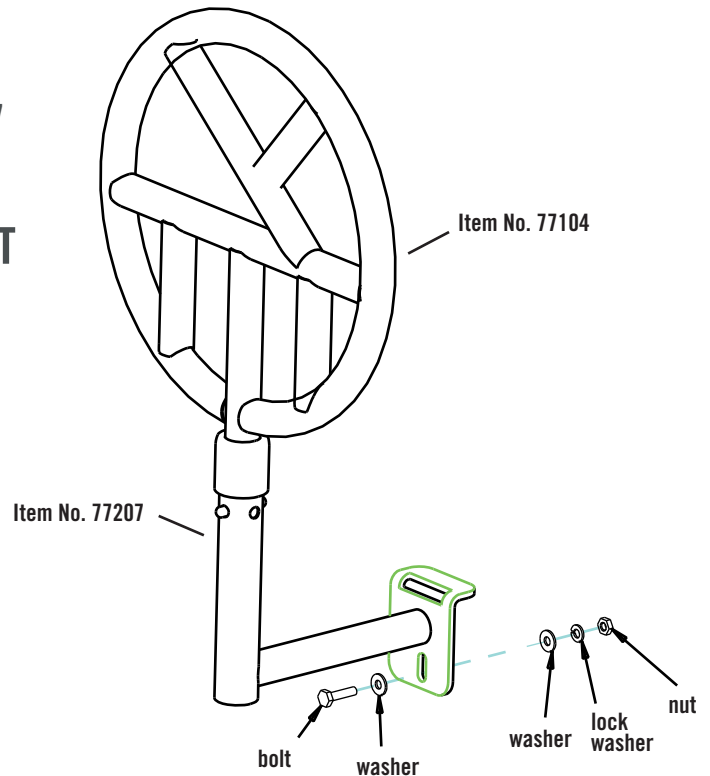
TOOLS NEEDED FOR ASSEMBLY:

- 7/16" Closed-End Wrench
- 7/16" Extension Socket with Ratchet Wrench (extension)

INSTALLATION STEPS:

1. Hook 77203 over CS Series Bracket located on sub-frame.
2. Using the enclosed hardware kit (77208). Insert the bolt with flat washer through the Halo bracket (77207) and bed frame bracket.
3. Slide a flat washer then lock the washer onto the bolt.
4. Using a 7/16" tool, secure the assembly with the nut.
5. Duplicate the above steps on the other side of the bed.
6. Slide the Halo Safety Ring (77104) into the Circle Mounting Bracket by pinching the double locking pins on the bottom bar of the Halo Safety Ring. Once inserted, the locking pins will pop out securing the Halo Safety Ring in position.

Your Halo Safety Ring is now installed and ready for resident use.



*In order to eliminate entrapment in Zones 1 through 4 and create a productive sleep environment, two CS Series Mounting Brackets need to be installed on the same bed.